

# Assembly Instructions FRSF05

## 30 Mins

APPROXIMATE ASSEMBLY TIME

2 PERSON ASSEMBLY



FLOOR AREA  
1M x 2M



REQUIRED ASSEMBLY SPACE



Scan code or visit website to get assembling video

<https://www.youtube.com/watch?v=c7U841mKloE>

Thank you for choosing our sofas, Please kindly peruse following steps of instruction. Any doubts about the product or assembly instruction, please don't hesitate to contact with us via Email or telephone.

"Email: [onewaysofas@foxmail.com](mailto:onewaysofas@foxmail.com)

TEL: +0044 731253984

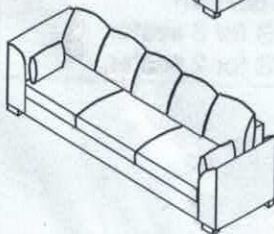
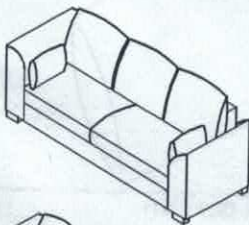


**2seater sofa**

box :

021 74\*67\*44CM\*1

222 122\*66\*17CM\*1

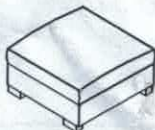


**3seater sofa**

box :

021 74\*67\*44CM\*1

322 170\*66\*17CM\*1



**Ottoman**

box :

300 64\*64\*23CM\*1



**CAUTION**

PLEASE DO NOT OPEN COMPRESSED PLASTIC CUSHION BAGS UNTIL YOUR SOFA FRAME IS COMPLETELY ASSEMBLED, OTHERWISE, IT CAN'T BE REPACKED IN ORIGINAL PACKING WAY TO RETURN.



# Assembly Instructions

## HARDWARE LIST



A Screw M8\*60MM\*2pcs



B Screw M8\*40MM\*4pcs



C Screw M8\*35MM\*8pcs



D Screw M6\*40MM\*8pcs



E Wrench\*1pc



F Hex Key M8\*1pc



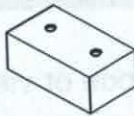
G Hex Key M6\*1pc



H Gasket\*14pcs

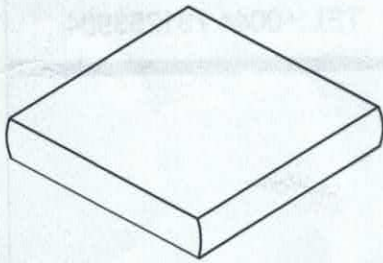


I Nut\*2pcs



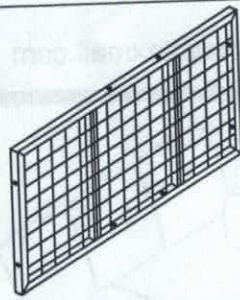
J Sofa feet\*4pcs

## PARTS LIST



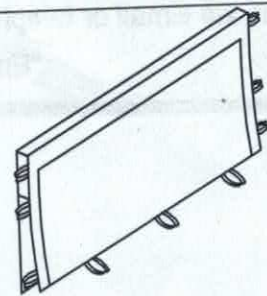
1

Seat cushion  
3 PCS for 3 seater  
2 PCS for 2 seater



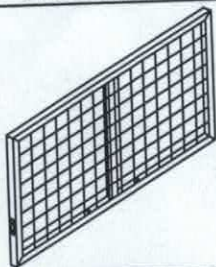
2

Seat frame\*1PC



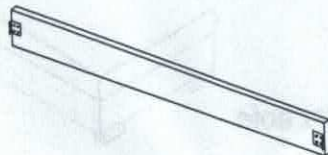
3

Back Cover\*1PC



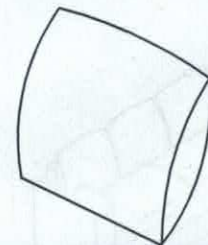
4

back frame\*1PC



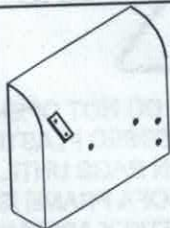
5

Front panel\*1PC



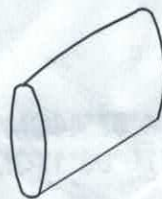
6

Back cushion  
5 PCS for 3 seater  
3 PCS for 2 seater



7

Arms(1PCS left+  
1pcs Right)Total\*2 PCS

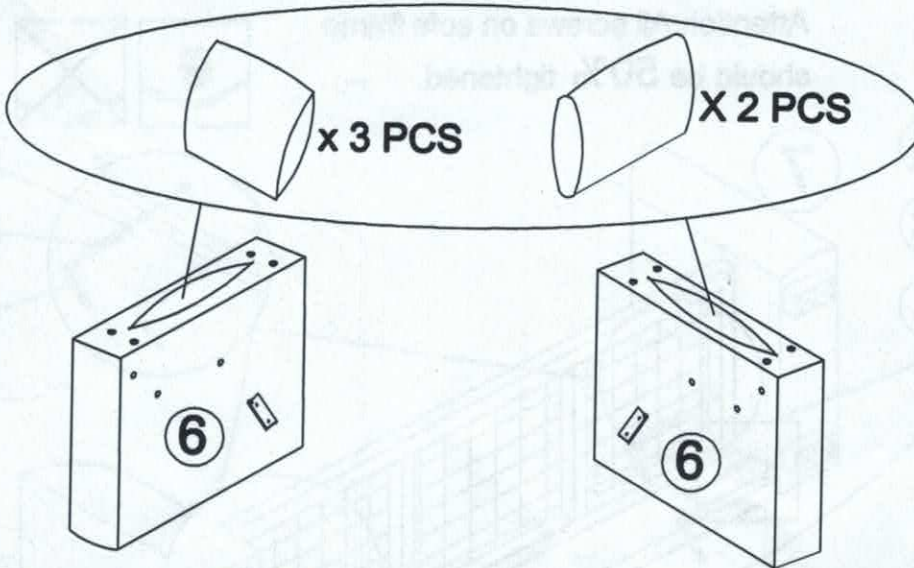


8

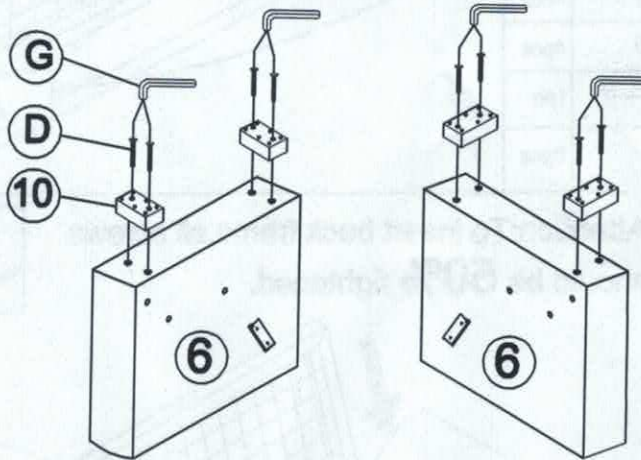
Cushion\*2PCS



# Assembly Instructions

## STEP 1

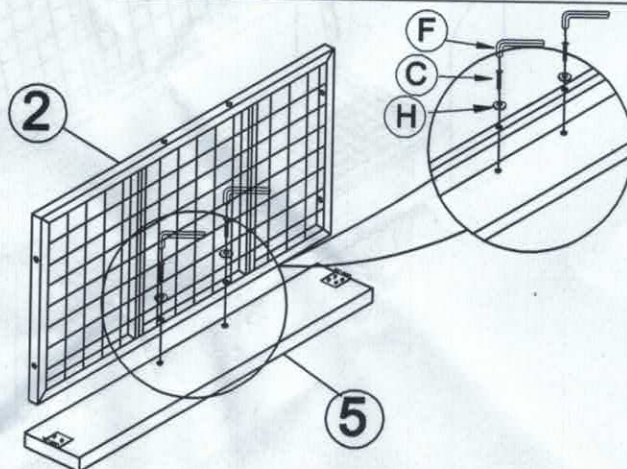



## STEP 2



<b>D</b>	M6*40MM		8pcs
<b>G</b>	M8*100MM		1pc

## STEP 3



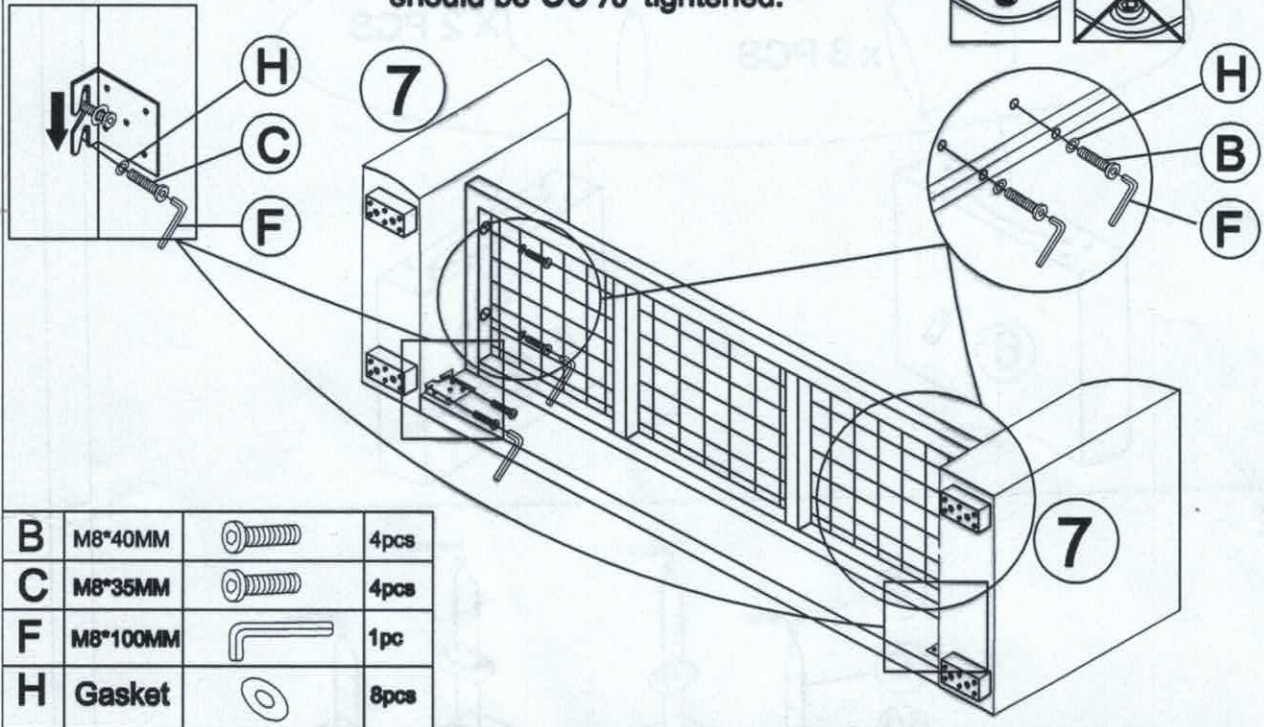
<b>C</b>	M8*35MM		2pcs
<b>F</b>	M8*100MM		1pc
<b>H</b>	Gasket		2pcs



# Assembly Instructions

## STEP 4

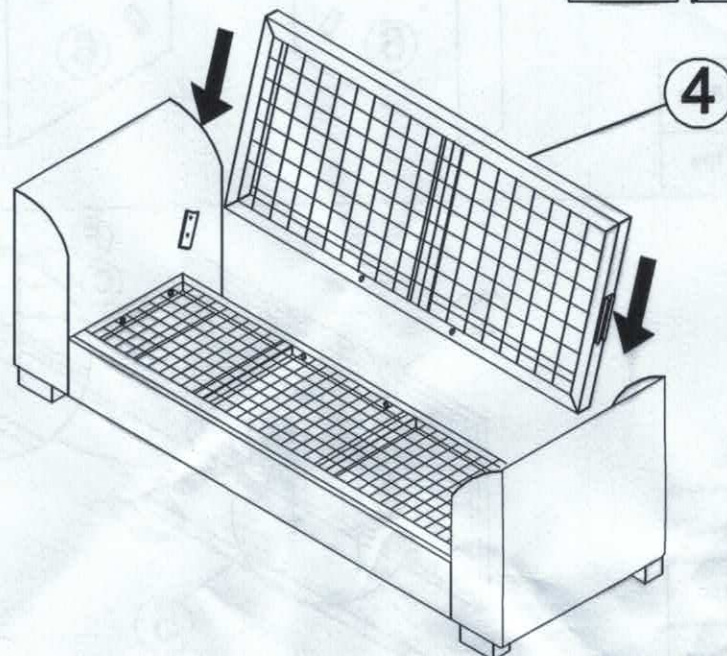
Attention: All screws on sofa frame should be 50% tightened.



B	M8*40MM		4pcs
C	M8*35MM		4pcs
F	M8*100MM		1pc
H	Gasket		8pcs

## STEP 5

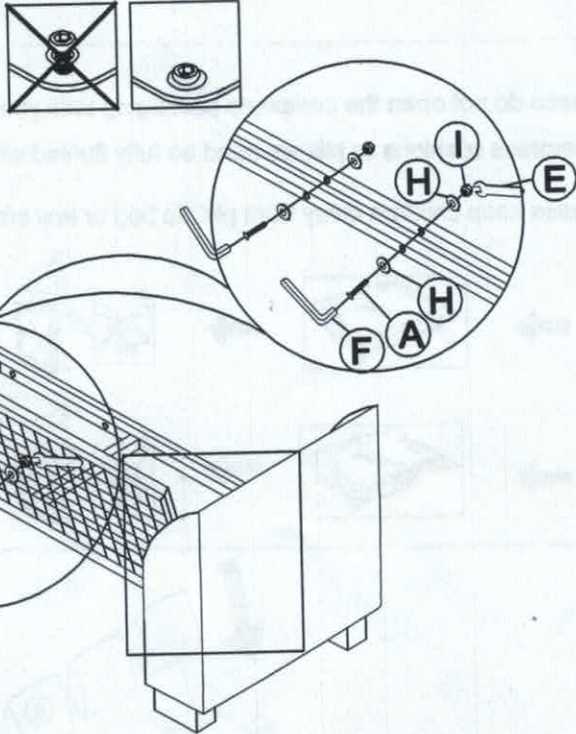
Attention: To insert back frame, all screws should be 50% tightened.





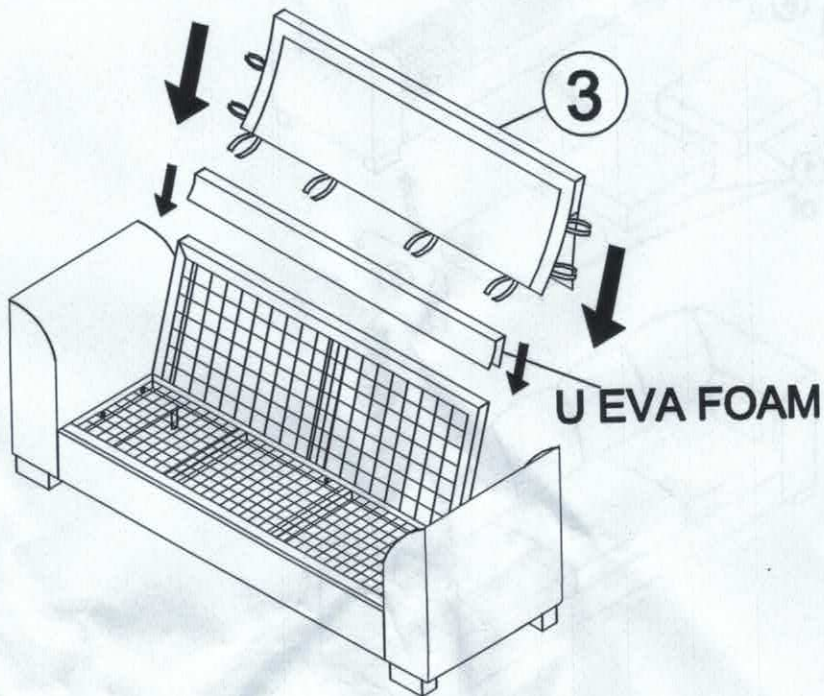
# Assembly Instructions

**STEP 6** Attention: Now All screws on sofa frame should be 100% firmly tightened.



<b>A</b>	M8*60MM		2pcs
<b>E</b>	Wrench		1pc
<b>F</b>	M8*100MM		1pc
<b>H</b>	Gasket		4pcs
<b>I</b>	Nut		2pcs

## STEP 7





# Assembly Instructions

**Tips:**

1. Please do not open the compress packaging until your sofa frame is completely assembled.
2. Compress cushions or pillows need be fully fluffed within 72hours for your perfect use.
3. Please keep children away from plastic bag or any small pcs of stuff.

